

Product data sheet

Characteristics

XUX2APBNT16R

Photoelectric sensors XU, XUX, receiver, Sn 40 m, 12...24 VDC, terminals



Product availability: Non-Stock - Not normally stocked in distribution facility

Price*: 90.00 USD



Main

| | |
|-------------------------------|---|
| Range of Product | Telemecanique Photoelectric sensors XU |
| Series name | General purpose single mode |
| Electronic sensor type | Photo-electric sensor receiver |
| Sensor name | XUX |
| Sensor design | Compact 92 x 71 |
| Detection system | Thru beam |
| Material | Plastic |
| Type of output signal | Discrete |
| Supply circuit type | DC |
| Wiring Technique | 3-wire |
| Discrete output type | PNP |
| Discrete output function | 1 NC |
| Electrical connection | Screw-clamp terminals, 1 x 1.5 mm ² or 1 x 0.75 mm ² with adaptor |
| Product Specific Application | - |
| Emission | Infrared thru beam |
| [Sn] nominal sensing distance | 131.23 Ft (40 m) thru beam need a transmitter XUX0AKSAT16T |

Complementary

| | |
|---------------------------|--|
| Enclosure Material | PBT |
| Lens material | PMMA |
| Maximum sensing distance | 196.85 Ft (60 m) thru beam |
| Output Type | Solid state |
| Add on output | Without |
| Cable entry | 1 entry for M16 x 1.5 cable gland 0.28...0.39 in (7...10 mm) |
| Status LED | 1 LED yellow)output state 1 LED green)supply |
| [Us] rated supply voltage | 12...24 V DC with reverse polarity protection |
| Supply voltage limits | 10...36 V DC |
| Switching capacity in mA | <= 100 mA overload and short-circuit protection) |

| | |
|------------------------|------------------------|
| Switching frequency | <= 250 Hz |
| Maximum voltage drop | <1.5 V closed state) |
| Current consumption | <= 35 mA no-load |
| Maximum delay first up | 15 Ms |
| Maximum delay response | 2 Ms |
| Maximum delay recovery | 2 Ms |
| Setting-up | Sensitivity adjustment |
| Maximum Depth | 3.03 In (77 mm) |
| Maximum Height | 3.62 In (92 mm) |
| Maximum Width | 1.22 In (31 mm) |
| Net Weight | 0.44 Lb(US) (0.2 kg) |

Environment

| | |
|---------------------------------------|--|
| Product Certifications | CE CSA UL |
| Ambient Air Temperature for Operation | -13...131 °F (-25...55 °C) |
| Ambient Air Temperature for Storage | -40...158 °F (-40...70 °C) |
| Vibration resistance | 7 gn +/- 1.5 mm 10...55 Hz) IEC 60068-2-6 |
| Shock resistance | 30 gn 11 ms) IEC 60068-2-27 |
| IP degree of protection | IP65 double insulation IEC 60529 IP67 double insulation IEC 60529 |

Ordering and shipping details

| | |
|-----------------------|--------------------------------|
| Category | 22481 - SENSORS, PHOTOELECTRIC |
| Discount Schedule | DS2 |
| GTIN | 03389110170429 |
| Nbr. of units in pkg. | 1 |
| Package weight(Lbs) | 6.38 Oz (181 g) |
| Returnability | No |
| Country of origin | FR |

Packing Units

| | |
|------------------------|-------------------|
| Unit Type of Package 1 | PCE |
| Package 1 Height | 1.65 In (4.2 cm) |
| Package 1 width | 3.78 In (9.6 cm) |
| Package 1 Length | 5.20 In (13.2 cm) |

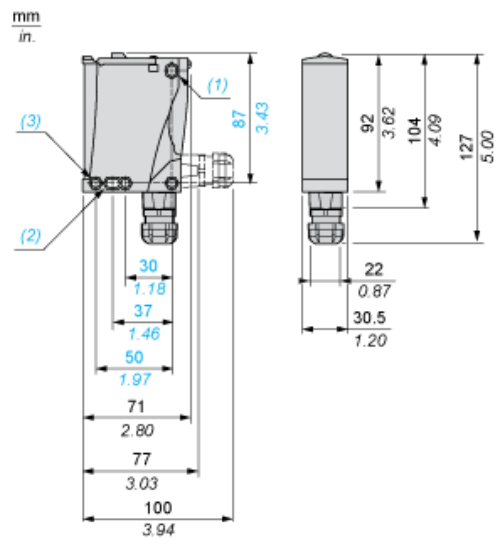
Offer Sustainability

| | |
|----------------------------|--|
| Sustainable offer status | Green Premium product |
| California proposition 65 | WARNING: This product can expose you to chemicals including: Diisononyl phthalate (DINP), which is known to the State of California to cause cancer, and Diisodecyl phthalate (DIDP), which is known to the State of California to cause birth defects or other reproductive harm. For more information go to www.P65Warnings.ca.gov |
| REACH Regulation | REACH Declaration |
| EU RoHS Directive | Pro-active compliance (Product out of EU RoHS legal scope) EU RoHS Declaration |
| Mercury free | Yes |
| RoHS exemption information | Yes |
| Environmental Disclosure | Product Environmental Profile |
| Circularity Profile | End Of Life Information |

Contractual warranty

| | |
|----------|-----------|
| Warranty | 18 months |
|----------|-----------|

Dimensions



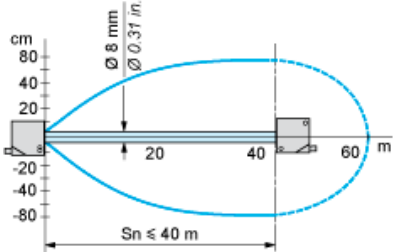
- (1) Elongated hole $\text{\O} 5.5 \times 7$
- (2) Elongated hole $\text{\O} 5.5 \times 9$
- (3) $\text{\O} 5.5$ hole

Wiring Schemes

PNP/NPN DC

| M12 | | Terminals | | |
|-----|---|-----------|---|--------|
| 1 | ● | 1 | ⊘ | + |
| 3 | ● | 2 | ⊘ | - |
| 4 | ● | 3 | ⊘ | Output |

Detection Curves



Product Life Status : Commercialised